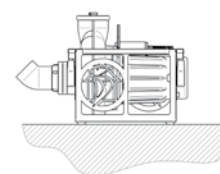


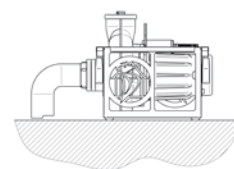
CHIEMSEE EX

MOBILE SPECIALITY PUMP

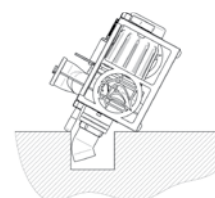
for strongly soiled sewage and waste water including solids



Basic position



Low level pumping



Deep level pumping

ADVANTAGES AT A GLANCE

- **Dry run capable**
due to dry and endurance run suitable double mechanical seal and temperature monitoring
- **Explosion-proof**
for use in Ex-zones 1 and 2
- **Capacity**
up to 2500 l/min
- **Blockage-free**
for solids up to 80 mm in size
- **Optimum Mobility**
due to compact dimensions and low weight of 59 kg
- **Trouble-free handling**
due to carrying frame with 4 folding handles and abseiling eyelet
- **Continuous operation**
with 5 kVA DIN generators
- **Low level pumping**
down to a few millimetres depth due to the patented Specht-häuser flat intake socket
- **Deep level pumping**
by pump inclination



Sealing

with dry-run and endurance-run suitable double mechanical seal made of SiC/SiC and SiC/Coal

Impeller

patented Spechtenhauser impeller made of corrosion-free, wear-resistant, self-cleaning aluminium bronze

CEE motor protection plug

400V/16A, 5-pin, with rotating field control unit, phase inverter, operating hour meter, temperature and leak tightness monitoring, protection class IPX4

Power cable

20 m, heavy duty NSSHÖU-J-cable (7G1,5) colour: yellow, cable inlet with bend protection made of stainless steel

Carrying frame

made of stainless steel, with 4 folding handles

Abseiling eyelet

in the gravity center of the pump

Intake socket and flat intake socket

made of stainless steel with A- or B-Storz-coupling

Coupling wrench

for A- or B-Storz-couplings

Housing

made of saltwater-proof aluminium alloy

Screw connections

made of stainless steel



Spiral hoses

for use in Ex-zones 1 and 2 with A- or B-Storz-couplings

Non-return flap

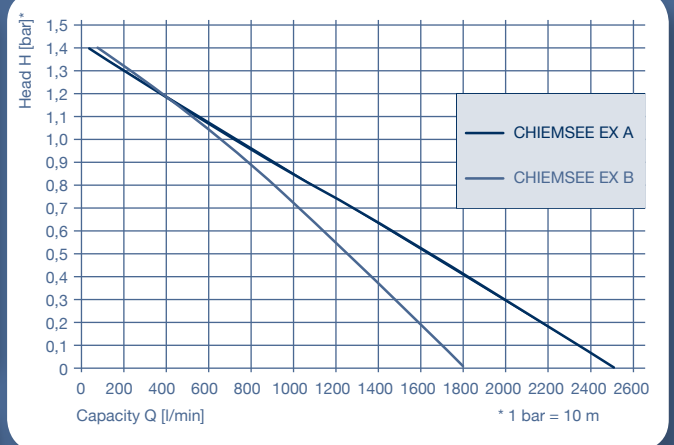
for use in Ex-zones 1 and 2 with A- or B-Storz-coupling for suction operation up to 5 m height

Flat intake socket

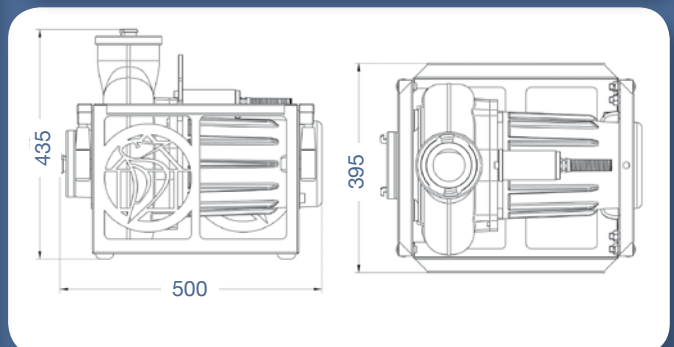
with integrated non-return flap for low level pumping in case of low water level

Extension of power cable

Extension of the standard power cable (20 m) up to a maximum length of 50 m



Type	CHIEMSEE EX A	CHIEMSEE EX B
Voltage U	3~400 V	3~400 V
Frequency F	50 Hz	50 Hz
Power consumption P1	3,2 kW	3,2 kW
Ex-marking	Ex II 2G Ex db IIB T4 Gb	Ex II 2G Ex db IIB T4 Gb
Protection class	IP68	IP68
Nominal current I	7,3 A	6,9 A
Connections	4"/A-Storz	3"/B-Storz
Max. solid size	Ø 80 mm	Ø 70 mm
Weight	60kg	59kg



Pump performance according to DIN EN ISO 9906

TYPE	Head H [bar]	0	0,2	0,4	0,6	0,8	1,0	1,2	1,4
CHIEMSEE EX A	Capacity Q [l/min]	2500	2160	1810	1460	1090	720	370	50
CHIEMSEE EX B		1800	1590	1370	1150	910	680	410	90