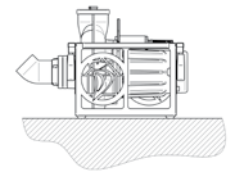


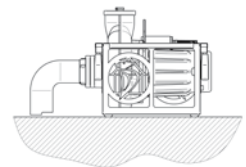
# CHIEMSEE

## MOBILE SPECIALITY PUMP

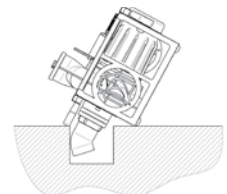
for strongly soiled sewage and waste water including solids



Basic position



Low level pumping



Deep level pumping

### ADVANTAGES AT A GLANCE

- **Dry run capable**  
due to dry and endurance run suitable double mechanical seal
- **Capacity**  
up to 2500 l/min
- **Blockage-free**  
for solids up to 80 mm in size
- **Deep level pumping**  
by pump inclination
- **Optimum Mobility**  
due to compact dimensions and low weight of 53 kg
- **Trouble-free handling**  
due to carrying frame with 4 folding handles and abseiling eyelet
- **Continuous operation**  
with 5 kVA DIN generators
- **Low level pumping**  
down to a few millimetres depth due to the patented Specht-Häuser flat intake socket
- **Slurping operation**  
unlimited possible



TECHNICAL DESIGN

## Sealing

with dry-run and endurance-run suitable double mechanical seal made of SiC/SiC and SiC/Coal

## Impeller

patented Spechtenhauser impeller made of corrosion-free, wear-resistant, self-cleaning aluminium bronze

## CEE motor protection plug

400V/16A, 5-pin, with rotating field control unit, phase inverter, ON/OFF push button, protection class IP54

## Power cable

20 m, heavy duty H07RN8-F-cable (4G1,5), colour: yellow, simply changeable, cable inlet with bend protection made of stainless steel

## Carrying frame

made of stainless steel, with 4 folding handles

## Intake socket and flat intake socket

made of PE-HD with A- or B-Storz-coupling

## Abseiling eyelet

in the gravity center of the pump

## Coupling wrench

for A- or B-Storz-couplings

## Housing

made of saltwater-proof aluminium alloy

## Screw connections

made of stainless steel



ACCESSORIES

## PVC spiral hoses

with A- or B-Storz-couplings

## Non-return flap

with A- or B-Storz-couplings for suction operation up to 5 m height

## CEE motor protection plug

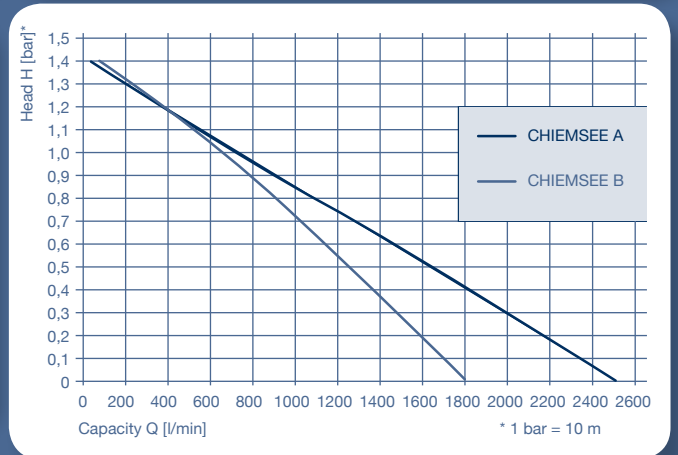
protection class IP67

## Separate float switch

for automatic pumping depending on water level

## Flat intake socket

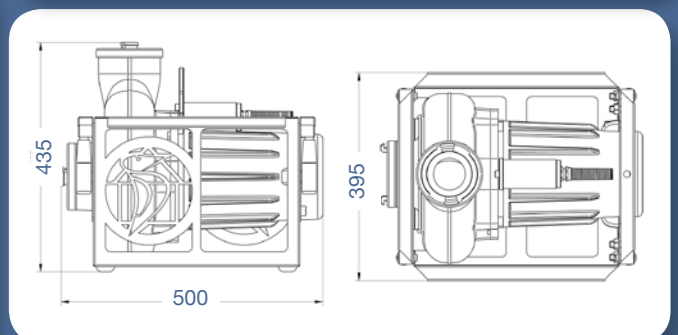
with integrated non-return flap for low level pumping in case of low water level



CAPACITY HEAD TABLE

TECHNICAL DATA

Type	CHIEMSEE A	CHIEMSEE B
Voltage U	3~400 V	3~400 V
Frequency F	50 Hz	50 Hz
Power consumption P1	3,2 kW	3,2 kW
Protection class	IP68	IP68
Nominal current I	7,3 A	6,9 A
Connections	4"/A-Storz	3"/B-Storz
Max. solid size	Ø 80 mm	Ø 70 mm
Weight	53 kg	52 kg



DIMENSIONS

PERFORMANCE

## Pump performance according to DIN EN ISO 9906

TYPE	Head H [bar]	0	0,2	0,4	0,6	0,8	1,0	1,2	1,4
CHIEMSEE A	Capacity Q [l/min]	2500	2160	1810	1460	1090	720	370	50
CHIEMSEE B		1800	1590	1370	1150	910	680	410	90